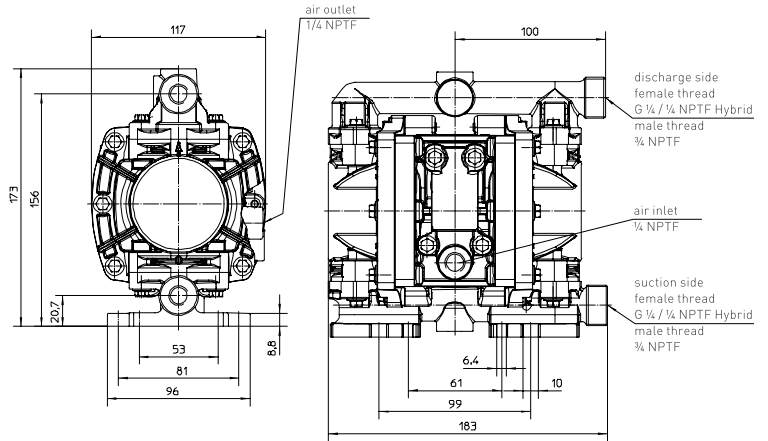


# FLUX air-operated diaphragm pump FDM 07 in non-metallic version, 1/4"



## Technical Data FDM 07

Delivery rate max.	20 l/min
Operating pressure max.	8,6 bar
Suction head* max.	9,5 m*
Max. size of solids	1,6 mm
Connection pump	
Suction side	1/4" NPTF, G 1/4
Discharge side	3/4" NPTF
Connection air	
Inlet	1/4" NPTF
Outlet**	1/4" NPTF

\* depending on pump model, operating pressure and fluid



Values ± 10 % with water at 20 °C

Type	Pump housing	Diaphragm	Ball	Hub	Seal	Weight	Part No.
FDM 07 PP/AA	Polypropylene	Santoprene	Santoprene	PP	EPDM	1,3 kg	M07 40 010
FDM 07 PP/TT	Polypropylene	PTFE	PTFE	PP	PTFE	1,3 kg	M07 40 100
FDM 07 AC/TT	Acetal conductive	PTFE	PTFE	AC	PTFE	1,6 kg	M07 50 000



Air-motor body Polypropylene

Electrically conductive for use in hazardous areas according to ATEX-Directive 2014/34/EU.

