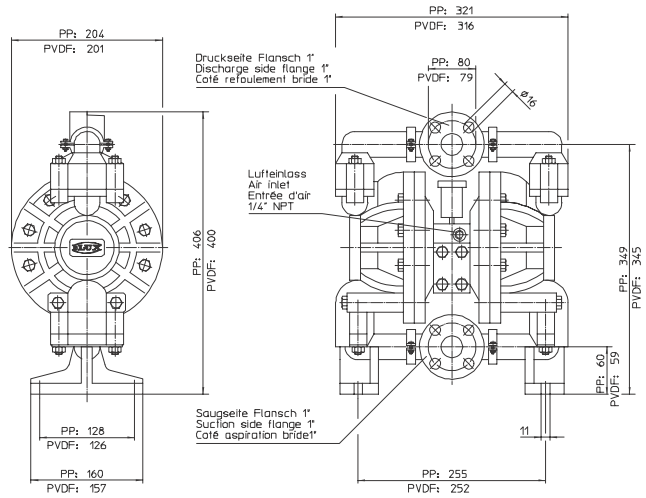


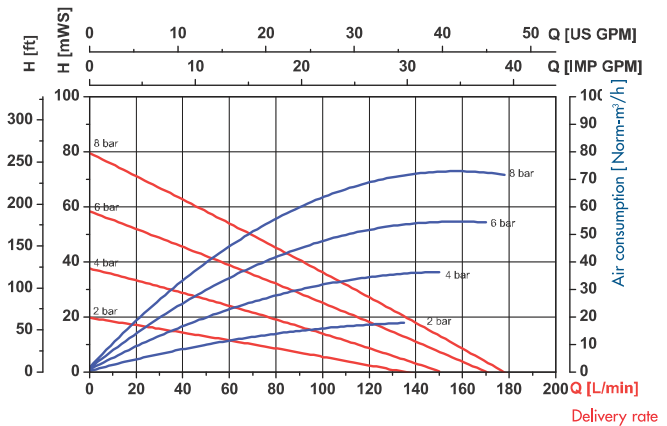
FLUX air-operated diaphragm pump FDM 25 in non-metallic version, 1"



Technical Data FDM 25

Delivery rate max.	178 l/min
Operating pressure max.	8 bar
Suction* head	7,6 m
Max. size of solids	3,2 mm
Connection pump	
Suction side	Flange 1" ***
Discharge side	Flange 1" ***
Connection air	
Inlet	1/4" NPT
Outlet**	3/8" NPT**

*Dry exhaust up to 4,5 m, **with silencer
***connecting dimensions for DN 25, DN 6 appropriate



Values ± 10 % with water at 20 °C

Typ	Pump housing	Diaphragm	Ball	Hub	Seal	Weight	Part No.
FDM 25 PP/AA	Polypropylene	Santopren	Santopren	PP	EPDM	9,2 kg	M25 40 010
FDM 25 PP/TT	Polypropylene	PTFE	PTFE	PP	PTFE	9,2 kg	M25 40 100
FDM 25 PVDF/TT	Polyvinylidene Fluoride	PTFE	PTFE	PVDF	PTFE	13,0 kg	M25 60 000

Air-motor body Aluminium