

# SALES AND ENGINEERING DATA

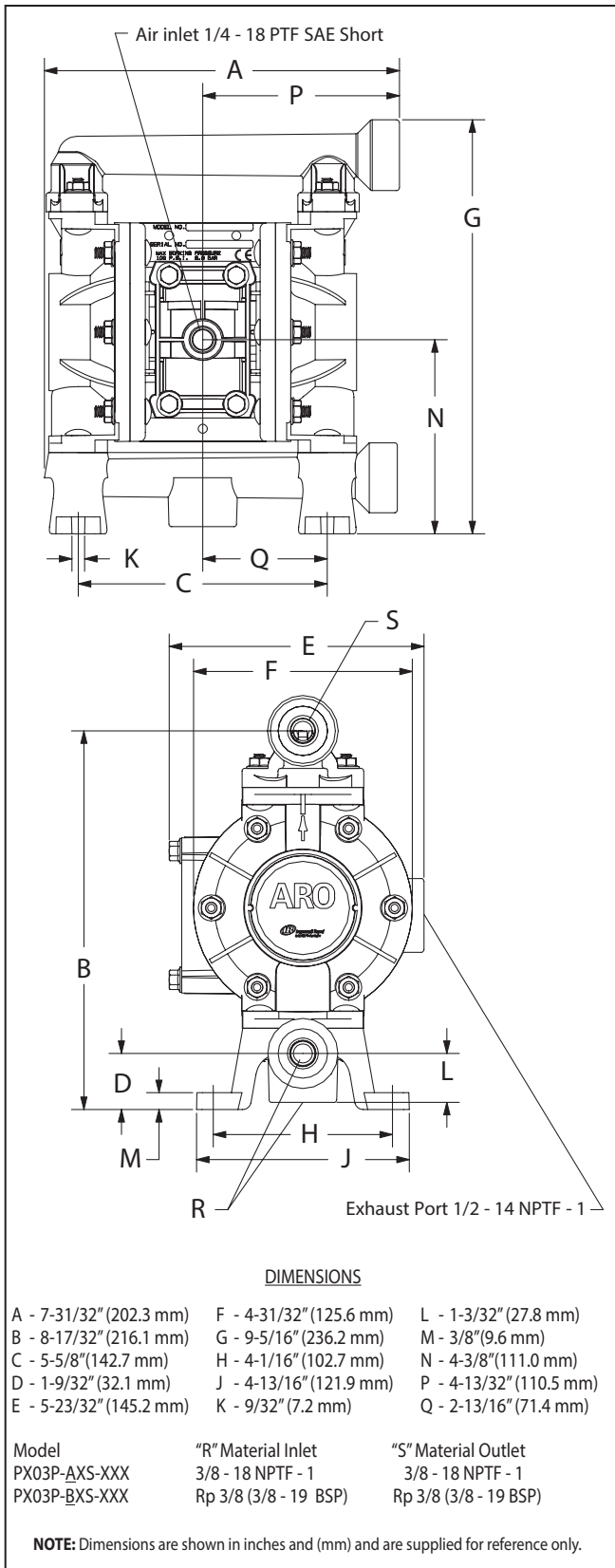
RATIO SERIES: **1:1**

FLUID P.S.I. RANGE: **10 - 100**

## PD03P-XXS-XXX AND PE03P-XXS-XXX 3/8" NON-METALLIC DIAPHRAGM PUMP

RELEASED: 2-17-06  
REVISED: 7-20-18  
(REV. G) S-1386

### DIMENSIONAL DATA



### SPECIFICATIONS

<b>Model Series</b> .....	PD03P-XXS-XXX PE03P-XXS-XXX
<b>Pump Type</b> .....	Non-Metallic, Air Operated, Double Diaphragm
<b>Ratio</b> .....	1:1
<b>Material Inlet / Outlet (female)</b>	
PX03P-AXS-XXX .....	3/8 - 18 NPTF - 1
PX03P-BXS-XXX .....	Rp 3/8 (3/8 - 19 BSP parallel)
<b>Air Inlet (female)</b> .....	1/4 - 18 PTF SAE short
<b>Air Exhaust (standard)</b> .....	internal
(optional)(female) .....	1/2 - 14 NPTF - 1
<b>Weight</b> ...	
PX03P-XDS-XXX .....	4.16 lbs (1.89 kgs)
PX03P-XES-XXX .....	4.26 lbs (1.93 kgs)
PX03P-XKS-XXX .....	4.50 lbs (2.04 kgs)
PX03P-XLS-XXX .....	4.62 lbs (2.10 kgs)
PX03P-XPS-XXX .....	3.44 lbs (1.56 kgs)
PX03P-XRS-XXX .....	3.50 lbs (1.59 kgs)
<b>Air Section Service Kit</b> .....	637428
<b>Fluid Section Service Kit</b> .....	637429-XX

**PX03P-XXS - X[X]X - C**

637429 - [X]X

Diaphragm Material  
Ball Material

EXAMPLE: Model #PD03P-ARS-SAA  
Fluid Section Service Kit is 637429-AA

### PERFORMANCE

<b>Air Inlet Pressure Range</b> .....	10 - 100 psig (0.69 - 6.9 bar)
<b>Maximum Material Inlet Pressure</b> ..	10 psig (0.69 bar)
<b>Fluid Pressure Range</b> .....	10 - 100 psig (0.69 - 6.9 bar)
<b>Maximum Flow Rate (flooded inlet)</b>	
ball check .....	10.6 gpm (40.1 lpm)
duckbill .....	8.7 gpm (32.9 lpm)
<b>Displacement / Cycle @ 100 p.s.i.</b>	
ball check .....	0.022 gal. (0.083 lit.)
duckbill .....	0.018 gal. (0.068 lit.)
<b>Maximum Particle Size - ball check</b> ..	1/16" dia. (1.6 mm)
duckbill .....	fibers
<b>Maximum Temperature Limits (diaphragm / ball / seal / seat material)</b>	
Acetal .....	-20° to 180° F (-29° to 82° C)
Hytre <sup>®</sup> .....	-20° to 180° F (-29° to 82° C)
PVDF (Kynar <sup>®</sup> ) .....	10° to 200° F (-12° to 93° C)
Neoprene .....	0° to 200° F (-18° to 93° C)
Nitrile .....	10° to 180° F (-12° to 82° C)
Polypropylene .....	32° to 175° F (0° to 79° C)
Santoprene <sup>®</sup> .....	-40° to 225° F (-40° to 107° C)
PTFE .....	40° to 225° F (4° to 107° C)
Viton <sup>®</sup> .....	-40° to 350° F (-40° to 177° C)

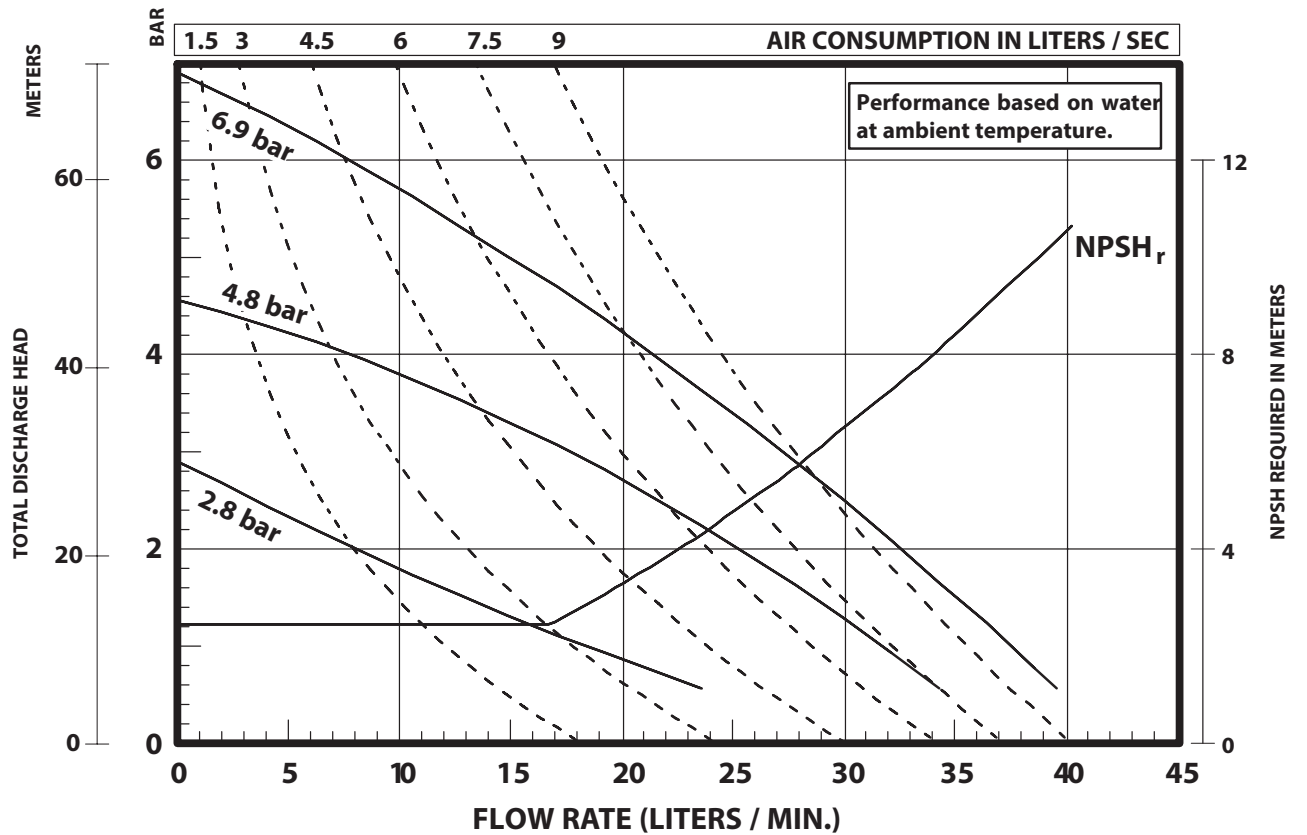
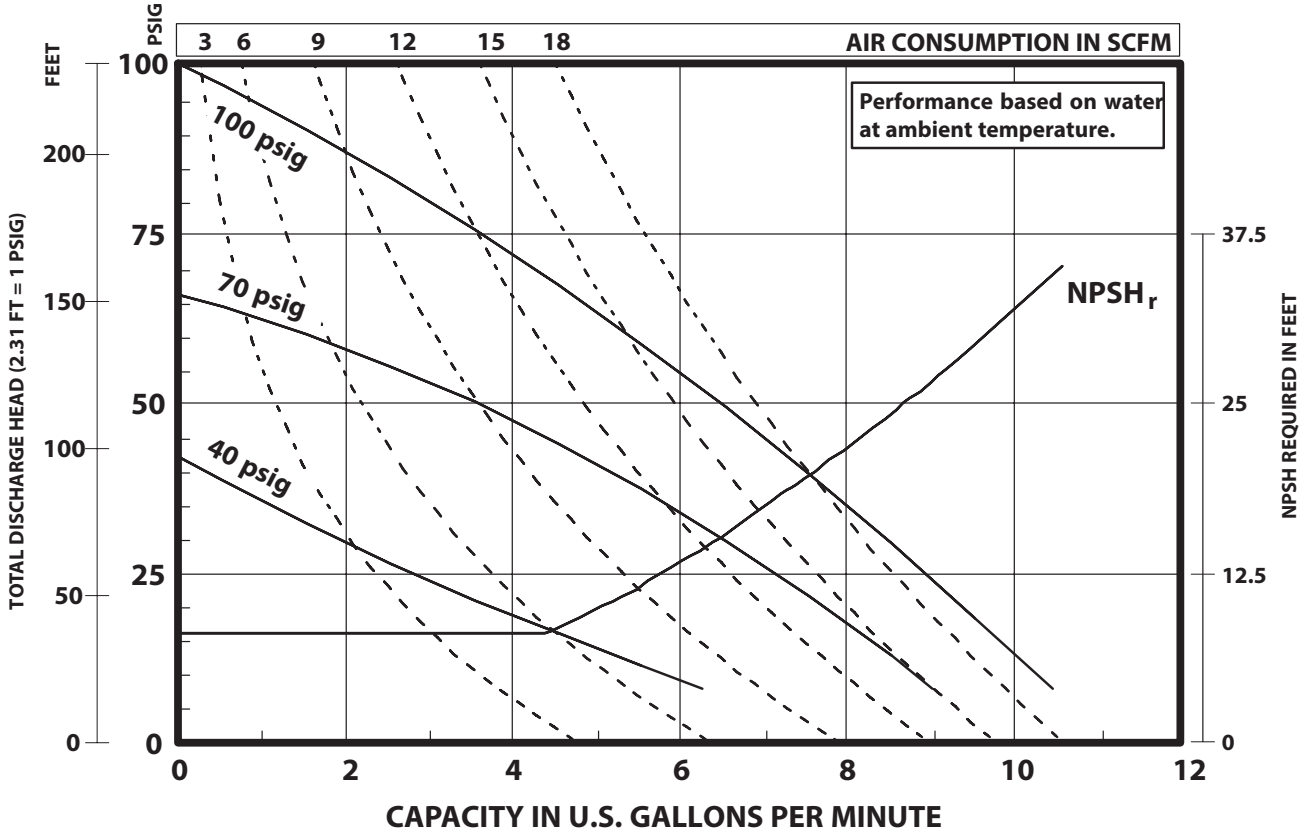
**Noise Level @ 70 p.s.i. - 60 c.p.m. @...** 72.7 dB(A)Ⓢ  
 Ⓢ The pump sound pressure level has been updated to an Equivalent Continuous Sound Level (L<sub>Aeq</sub>) to meet the intent of ANSI S1.13-1971, CAGI-PNEUROP S5.1 using four microphone locations.

**ACCESSORIES:**  
 66073-1 Air Line Connection Kit  
 93110 Muffler  
 76763 Wall Mount Bracket

**Dual Inlet/Dual Outlet Kits:**  
 637442-1 (NPT Polypropylene)  
 637442-4 (BSP Polypropylene)  
 637442-3 (NPT PVDF)  
 637442-6 (BSP PVDF)  
 637442-2 (NPT Acetal)  
 637442-5 (BSP Acetal)

# PERFORMANCE CURVES

## PX03P-XXS-XXX 3/8" NON-METALLIC DIAPHRAGM PUMP



# PERFORMANCE CURVES

## PE03P-XXS-XXX-XXEX and PE03P-XXS-XXX-XXFX 3/8" NON-METALLIC DIAPHRAGM PUMP

